



T E L E S C O P I C P I L I N G & D R I L L I N G E X T E N S I O N

NEED THAT EXTRA REACH?

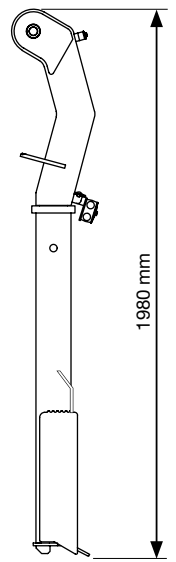
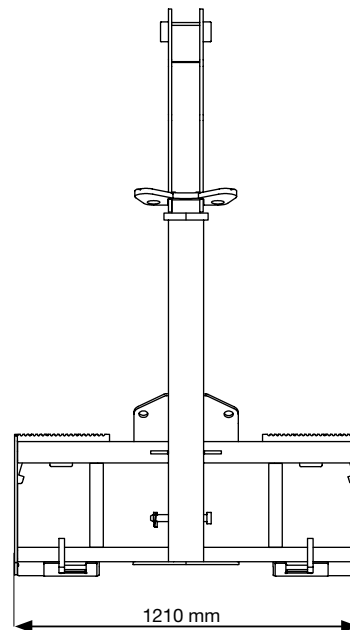
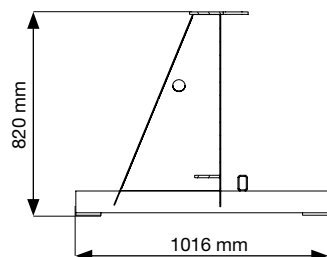
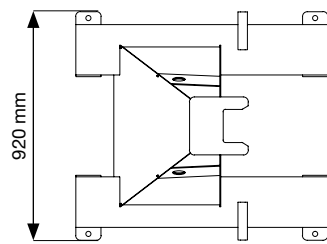
The Telescopic Piling and Drilling Extension effectively increases your reach for added drilling depth or screw anchor installation.

Features

- Provides 3.5 – 4 metres of ground clearance for screw anchors or augers
- Unique design gives the operator greater range and visibility
- Engineered for drives up to 22,000 Nm

OPTIONAL TRANSPORT FRAME

Optional transport frame provides maximum stability and compact storage for transport & ease of fitment to machine.



Retracted